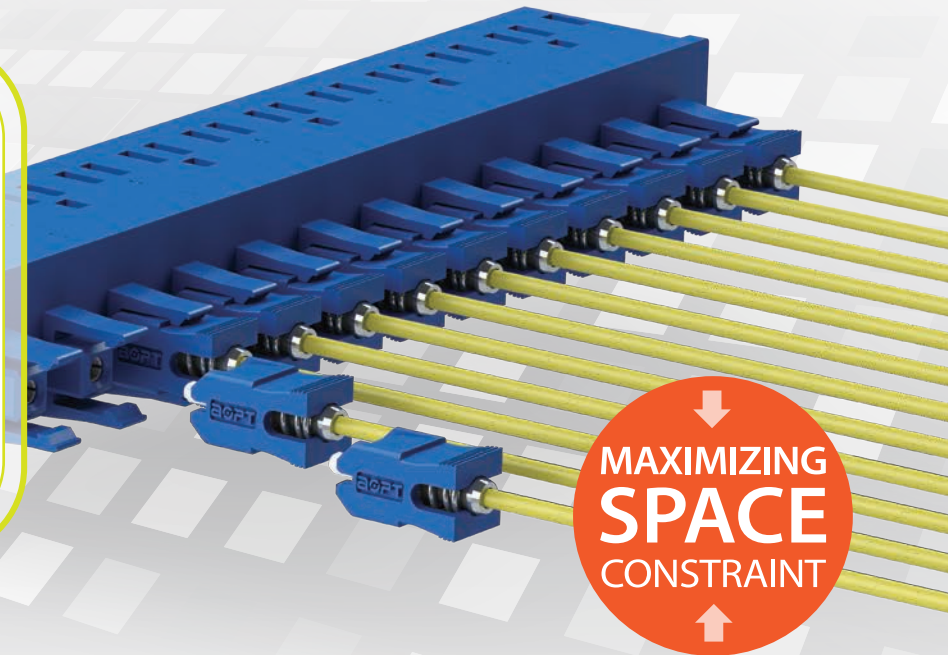
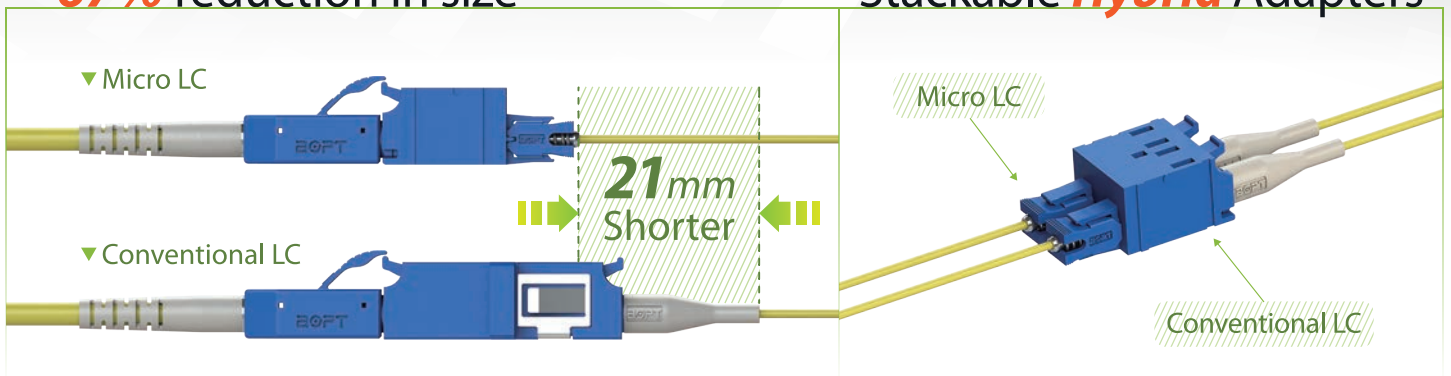


Micro LC ^{900µm} **SNAP-IN CONNECTOR**



67% reduction in size

Stackable **Hybrid** Adapters



Features

- Simple snap-in connector design makes ease of connecting and disconnecting.
- Compatible to conventional LC
- Remarkable increase in space on the back end panel and in small cassette.
- Micro LC adapter is a hybrid adapter which can accommodate micro LC connector and conventional LC connector.
- The best option for BTW application and high density solution.

Applications

- Data communications
- Telecommunications
- FTTx deployments
- Optical measurement instruments
- 4G/LTE, 5G Base station
- CATV